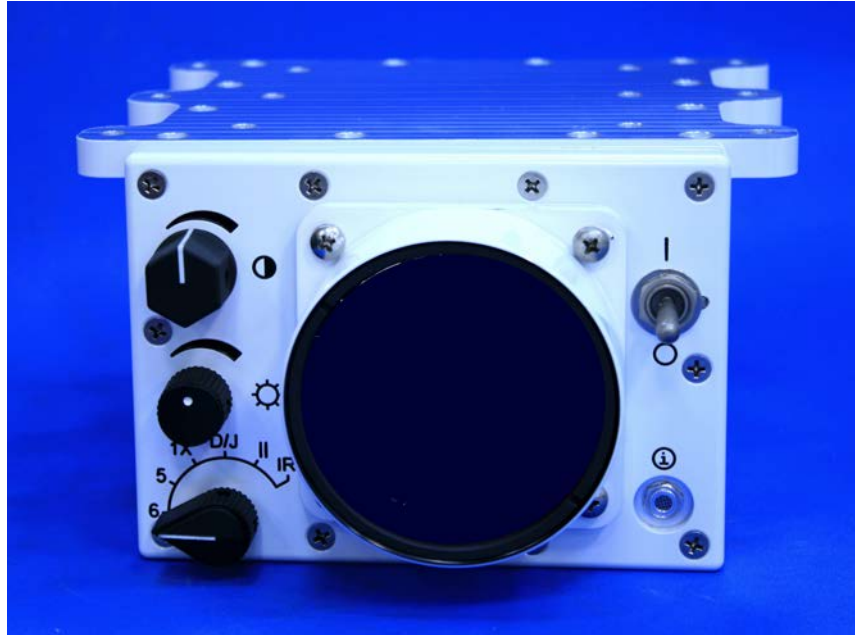




**Palomar
Display
Products**

Next Generation Image Control Unit (NGICU)

Compact, Full Color, HD Biocular Display Technology



Palomar Display Products' family of compact Biocular Color HD Display Technology is designed to meet a broad range of armored ground vehicle turret applications. The Biocular Displays deliver a large virtual image in small, rugged, militarized enclosures.

A Biocular Image Control Unit provides the ability to present a very large virtual image from a very small real image at the designed focal length.

A Biocular lens uses both eyes to create a virtual image with a desired eye relieve, eye pitch, pupil size, field view (FOV), magnification, and focal length (FL).

Infinite Focus: The large virtual image created by a biocular display provides an image at an infinite focus enabling a crew member to position their head at any eye relief and maintain focus on information being displayed on the screen. This reduces nausea while the vehicle is on the move on rough terrain.

Small Volume, Large Image: The total volume required for a biocular display is a fraction of the volume required to display a comparable image by a direct view flat panel display.

Stabilized Viewing: A brow pad used in combination with a biocular display provides for the placing of the users head at the proper distance from the biocular display and couples the head to the full of the vehicle allowing for synchronized movement of the user and the display.

Palomar Display Products, Inc.
5803 Newton Drive, Suite C
Carlsbad, CA 92008
Phone: 760.931.3289
Fax: 760.931.3298
www.palomardisplays.com

Next Generation Image Control Unit Specifications



Power Input	24/28 VDC Nominal, 16-40 VDC MIL-STD-1275
Power Consumption	35 W max. continuous with 45 W at low temp. start
Serial Standards	CAN Bus
Video Inputs	Any combination of DVI, NTSC, PAL, VGA or RS-170
Number of Video Inputs	Maximum 8
Connectors	Military circular connectors
Biocular Lens	Horizontal Field of view - 40°, Eye Relief - 60mm HD
Resolution	720P up to 1280 x 720 (768); 1080P and 4K pending
Aspect Ratio	16:9 Native, 4:3 at reduced resolution
Color Capability	16 Million Colors
Contrast Ratio	500 :1 minimum
Brightness	> 500 Nit
Operating Temperature Range	-40° to 71° C
Storage Temperature Range	-55° to + 80° C
EMI	MIL-STD-461C
Environmental	MIL-STD-810
MTBF	Greater than 5000 hours

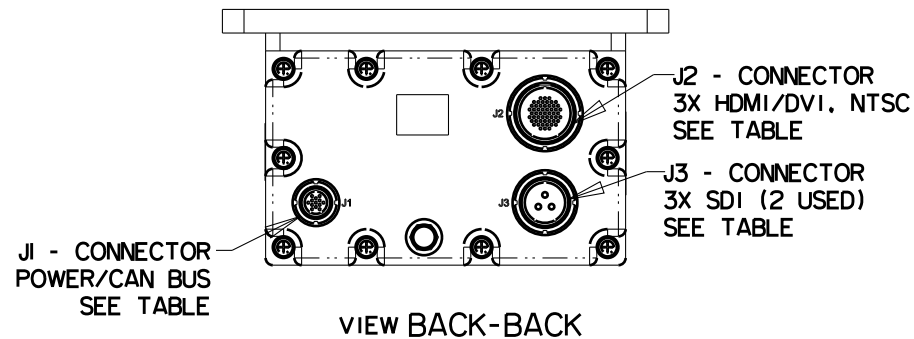
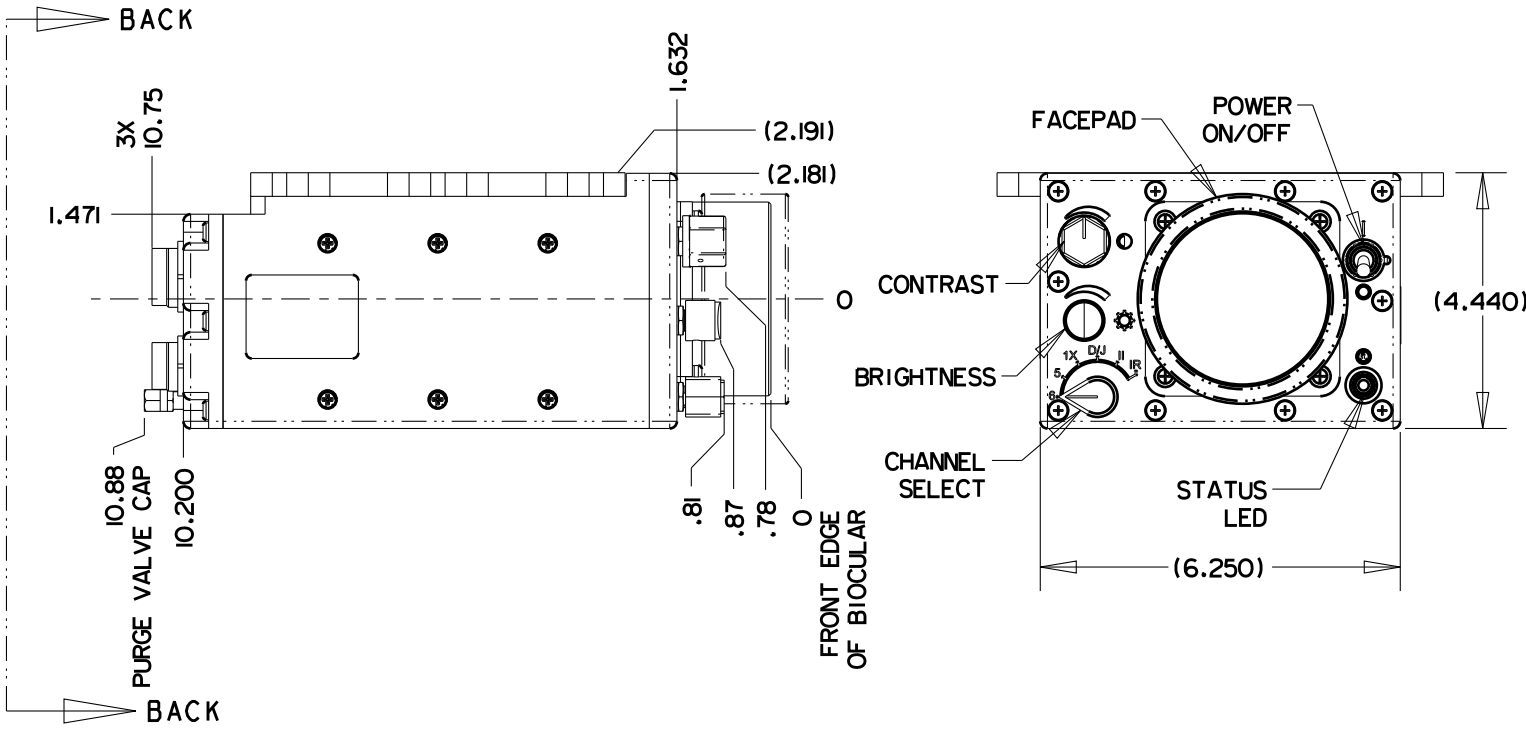
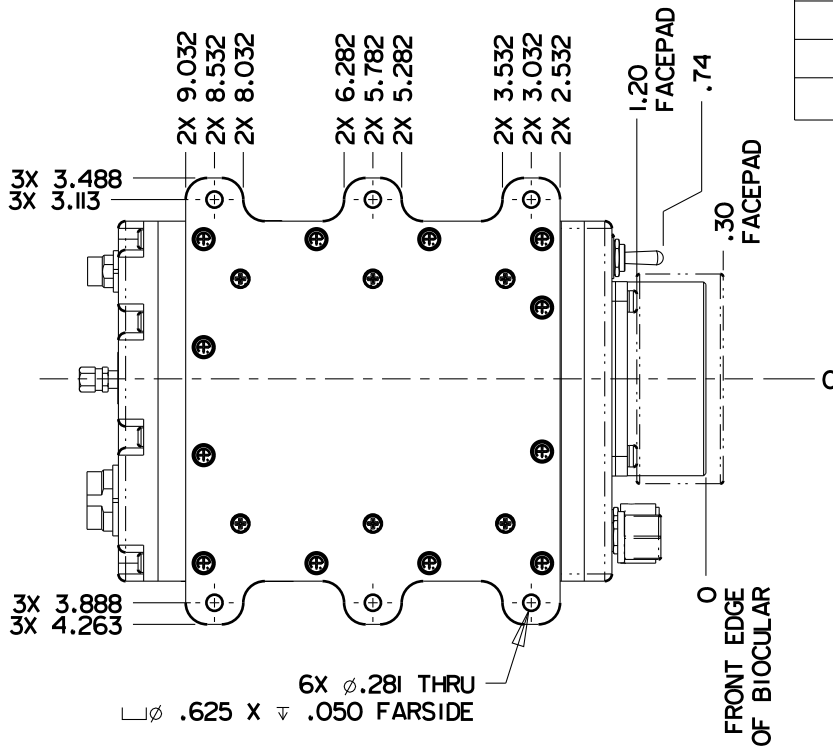
All products are designed and manufactured to meet specific customer requirements. They can be tailored to operate with various video and communication standards.



**Palomar
Display
Products**

Palomar Display Products, Inc.
5803 Newton Drive, Suite C
Carlsbad, CA 92008
Phone: 760.931.3289
Fax: 760.931.3298

CONNECTORS	
CONNECTOR	GLENAIR PART NUMBER
J1	80I-033-07M8-13EA
J2	80I-033-07M6-55PA
J3	80I-1334-07M13-3PA-518
J3 EQUIV.	80I-009-07M13-3AA CONTACT 809-118



VIEW BACK-BACK